

### CBD20/25/30-460 Electric Pallet Truck

#### Configuration and performance

- Electronic power steering system, light and low noise;
- AC Driving system, NO carbon brush, maintenance free;
- Automatic lifting limits, safety energy saving;
- Drive unit floating bodies with patent design;
- Side-way battery, easy to replace;
- Electromagnetic, regenerative braking system.

#### Safety

- Curve automatic deceleration devices, more safe;
- Stepless speed control system, safe and quiet;
- Controller with Multiple automatic protection;
- Emergency reversing device/Emergency Brake switch.

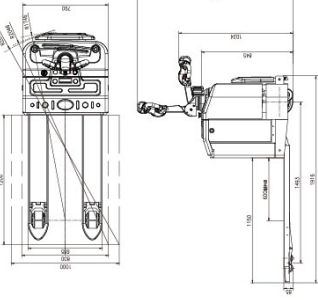
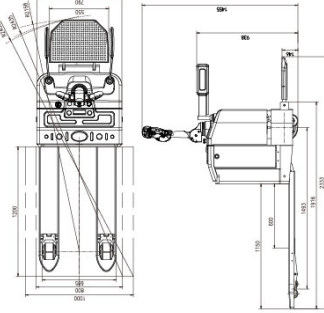
#### Option

- Lithium battery

Side-loaded battery EPS/AC  
Steering automatic deceleration

Feature	
Model	CBD20/25/30
Configuration No.	460
Loading capacity	2000/2500/3000
Load center	600
Wheel base	1493
Operating type	Ride On
<b>Wheels</b>	
Wheels type	PU
Wheel quantity	1/2/4
Driving wheel/Bearing wheel	Ø248×75
Driving wheel size	
Bearing wheel size	Ø84×80(Double wheels)
Balance wheel size	Ø115×55
<b>Dimension</b>	
Min.fork lowered height	85
Max.fork lifting height	205
Max.lifting height	120
Overall fork width	550/600/650/685
Inside width between forks	210/260/310/345
Fork length	1150/1200
Fork width	170
Fork thickness	75
Overall length	1916/2333
Overall width	790
Overall height(With handle)	1455
Overall height(Without handle)	845
Min.Turning radius	1746/2158
Min.Aisle width for pallets 800×1200	2046/2435
Min.Aisle width for pallets 1000×1200	2077/2458
<b>Performance</b>	
Travel speed,laden/unladen	6/6
Lift speed,laden/unladen	30/35
Lowering speed,laden/unladen	40/35
Gradeability,laden/unladen	6/16
<b>Electrical configuration</b>	
Drive motor	kW AC 1.5
Lift motor	kW DC 1.2
Steering motor	kW DC 0.15
<b>Brake</b>	
Battery	Electromagnetic/Regenerative
Battery voltage / capacity	Lead-acid battery 24/270 Lithium battery (Optional) 24/200
Controller	ZAPI
Battery weight	kg 247
Service weight with battery	kg 831

\* Details of specifications and equipment are based on information available at time of printing and may change without notice.



#### ANHUI HELI CO., LTD.

ADD: NO.648 Fuyang Street, Economic Development Zone, Hefei, P.R. China  
 TEL: (86 551) 63639068 (America) 63639258 (Europe) 63639358 (Asia)  
 63662105 (Africa & Middle East) 63639530 (Key Accounts division)  
 63662105 (Wheel loader)  
 FAX: (86 551) 63639966  
 WEBSITE: <http://www.heliforklift.net>  
 Email: [helih@helichina.net](mailto:helih@helichina.net)

AUTHORIZED DEALER