

5-10 t G系列

内燃平衡重式叉车

G SERIES INTERNAL COMBUSTION  
COUNTERBALANCED FORKLIFT TRUCK



© series / 智能·环保 INTELLIGENT  
ENVIRONMENT-FRIENDLY

**HELI**  
中国合力 提升未来



连续23年叉车产销量中国第一  
TOP1 FORKLIFT MANUFACTURER AND SALER  
IN CHINA FOR CONSECUTIVE 23 YEARS



G系列内燃平衡重式叉车  
G SERIES INTERNAL COMBUSTION  
COUNTERBALANCED FORKLIFT TRUCK

# 5-10 t

## 八大技术特性显著提升

*technical features remarkably improved*

### 减震 Damping

- > 护顶架（驾驶室）全悬浮式减震设计和动力系统震动传递的优化设计；降低整车的振动，减轻驾驶员疲劳程度。
- > With suspension damping structure on overhead guard(cab) and optimized design for the transmission, the whole trucks's vibration reduced a lot and relieve driver's fatigue greatly.

### 降噪 Noise reduction

- > 全密封驾驶室与发动机周边附件优化设计，降低驾驶员耳边噪音及整车声功率级；
- > Equipped with fully sealed cab and optimize designed parts around the engine, noise nearby ear and the truck sound level are reduced greatly.

### 散热 Heat dissipation

- > 散热系统合理优化，冷却性能大幅提升，从而提高变速箱、发动机等关键零部件的可靠性、耐久性；
- > With the optimized cooling system and great cooling performance, highly improved the reliability and durability of the transmission and engine, etc, many key parts.

### 节能降耗 Energy efficiency

- > 采用优化设计的液压系统，凸显节能高效，有效降低整车的燃油消耗；
- > With optimized hydraulic system, the truck is more energy-efficient and lower fuel consumption.



独立集成电控箱  
Independent integrated electric cabinet



标配LED信号灯  
LED signal (standard configuration)



棘齿式停车制动器  
Ratchet type parking brake



智能换挡  
Intelligent gear shifting



## 舒适性 Comfort

- > 融入交互式人机工程设计，提升操作舒适性；配备宽视野起重系统，改善视野；
- > Man-machine engineering design improves operation comfort; wide view lifting system improves vision.

## 智能换挡 Intelligent gear shifting

- > 整车标配电液换向系统，操作省力、方便；升级全新智能换挡系统，防止二档起步，提高变速箱的工作可靠性；
- > With electronic-hydraulic reversing system as standard configuration, make operation more liaght and easy; The updated new intelligent gear shifting system could avoid starting with second gear, improves the transmission box's reliability.

## 维护性 Maintainability

- > 车体内部空间更宽敞，零部件位置布置更合理，机罩开启角度增大至80°，整机维修性更佳；
- > Wider internal space, more reasonable parts layout and 80°hood opening angle make maintenance easy.

## 可靠性 Reliability

- > 车架、门架等核心结构件采用CAE正向设计，使其强度大幅提升，整车更坚固；
- > Key parts like frame and mast apply CAE top-down design to improve their strength and make the truck tough.



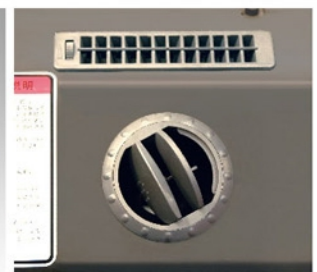
方向盘锁紧机构  
Steering wheel lock mechanism



燃油箱盖带锁  
Locked fuel tank cover



文件夹  
Folder



内置式暖风机（选配）  
Built-in heater(optional)



**G系列内燃平衡重式叉车**  
G SERIES INTERNAL COMBUSTION  
COUNTERBALANCED FORKLIFT TRUCK

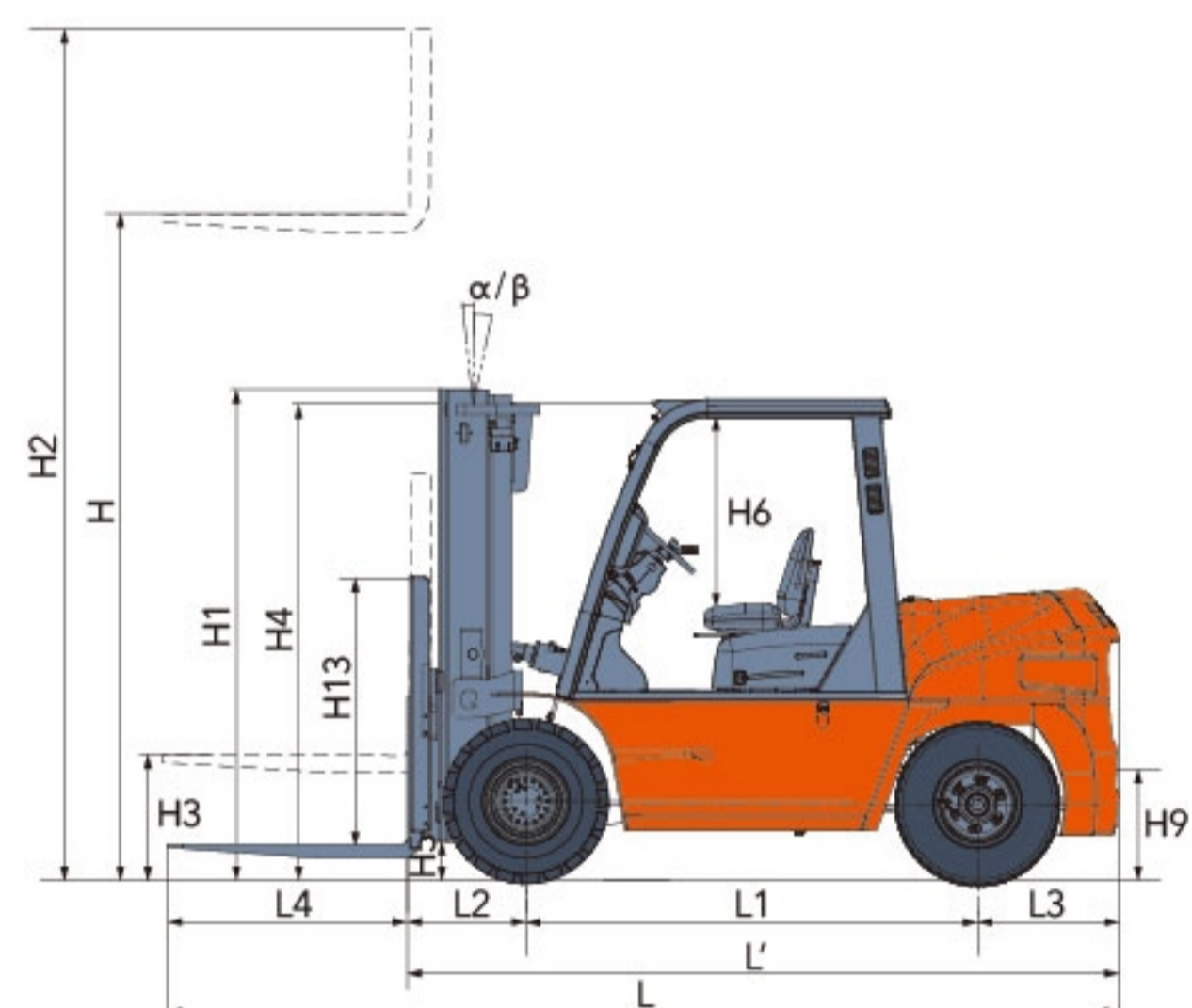
# 5-10 t

## 制造商和技术参数 Manufacturer and technical parameters

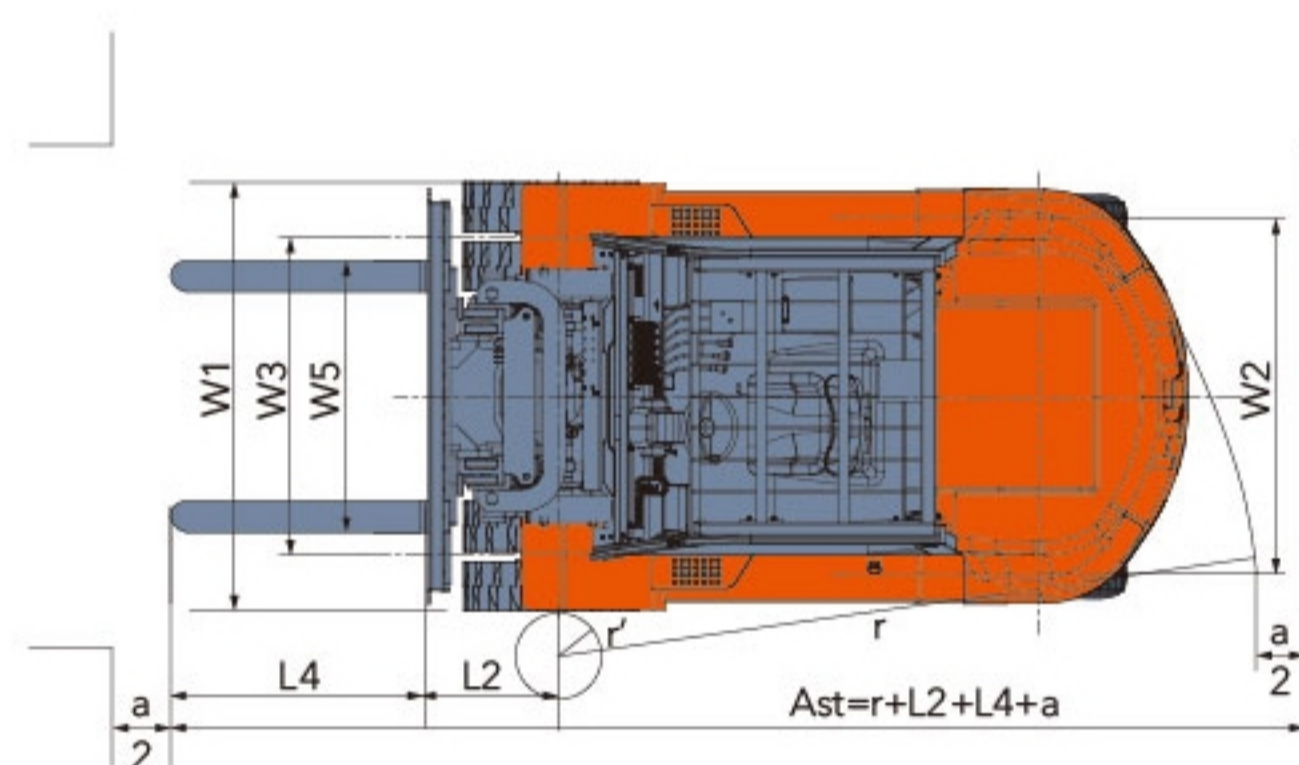
特性		Characteristics								
1.01	制造商	Manufacturer		HELI						
1.02	型号	Model		CPCD50	CPCD60	CPCD70	CPCD85	CPCD100		
1.03	动力种类	Power type		柴油 Diesel						
1.04	额定起重量	Q	kg	5000	6000	7000	8500	10000		
1.05	载荷中心距	Load center		c		600				
1.06	驾驶方式	Driving mode		坐驾式 Sit-on type						
尺寸		Dimensions								
2.01	最大高度 (带挡货架)	Mast height, extended (with backrest)		H2	mm	4400	4400	4400	4420	4415
2.02	最大起升高度	Max. fork height		H	mm	3000	3000	3000	3000	3000
2.03	门架全高	Mast height, lowered		H1	mm	2500	2500	2500	2700	2850
2.04	自由起升高度	Free lift		H3	mm	200	200	200	200	200
2.05	挡货架 (门架货叉面算起)	Backrest height (calculated from the fork surface)		H13	mm	1360	1350	1345	1360	1345
2.06	座椅面至护顶架距离	Overhead guard clearance (from face of seat)		H6	mm	1060	1060	1060	1060	1060
2.07	护顶架高度	Overhead guard height		H4	mm	2450	2450	2450	2560	2560
2.08	全长 (带货叉)	Overall length (with forks)		L	mm	4710	4790	4840	5180	5430
2.09	全长 (不带货叉)	Overall length (without forks)		L'	mm	3490	3565	3610	3955	4210
2.10	前悬距	Front overhang		L2	mm	590	595	600	707	722
2.11	后悬距	Rear overhang		L3	mm	600	675	720	755	715
2.12	轴距	Wheel base		L1	mm	2300	2300	2300	2500	2775
2.13	牵引挂钩中心高度	Traction pin center height		H9	mm	410	410	410	520	520
2.14	最小离地间隙 (门架下端)	Min. Ground clearance (from bottom of mast)		H5	mm	200	200	200	250	250
2.15	车架外侧宽	Truck body width		W1	mm	2045	2045	2045	2165	2165
2.16	货叉调节范围外侧 最大/最小	Lateral fork adjustment (outside of fork) (max./min.)		W6	mm	300-1835	300-1835	300-1835	348-1944	420-2060
2.17	前轮距	Front tread		W3	mm	1520	1520	1520	1600	1600
2.18	后轮距	Rear tread		W2	mm	1700	1700	1700	1700	1700
2.19	最小转弯半径 (外侧)	Min. Turning radius (external)		r	mm	3240	3300	3370	3650	3900
2.20	最小转弯半径 (内侧)	Min. Turning radius (internal)		r'	mm	200	200	200	200	200
2.21	最小直角通道宽度	Min. Intersecting aisle		Ast	mm	3200	3260	3330	3590	3860
2.23	门架倾角 (前/后)	Mast tilting angle (forward/rear)		$\alpha/\beta$	°	6/12	6/12	6/12	6/12	6/12
2.24	货叉尺寸	Fork size		L4	mm	55X1220X150	60X1220X150	65X1220X150	70X1220X170	80X1220X175
轮胎		Tyre								
3.01	车轮数量 (前/后)	Wheel number (front/rear)		4X/2						
3.02	轮胎类型 (前/后)	Tyre type (front/rear)		充气胎 Pneumatic tyre						
3.03	轮胎尺寸 (前)	Tyre size (front)		8.25-15-14PR			9.00-20-14PR			
3.04	轮胎尺寸 (后)	Tyre size (rear)		8.25-15-14PR			9.00-20-14PR			
制动和传动装置等其它参数		Specifications of the brake and transmission devices								
4.01	蓄电池 (电压/容量)	Battery (voltage/capacity)		V/Ah	2X12/80					
4.02	行车制动器	Service brake		动力制动 踏板式 Powered brake-pedal type						
4.03	停车制动器	Parking brake		机械-手制动杆式 Mechanical-hand brake lever type						
4.04	燃油箱容量	Oil tank capacity		L	160					
4.05	变速箱型式	Transmission type		智能换向 Intelligent gear shifting						
4.06	挡位数 (前/后)	Transmission number of speed (fwd/bwd)		2/2						
整车性能参数		Truck specifications								
5.01	最大行驶速度 (满载/空载)	Max. Travelling speed (loaded/unloaded)		km/h	24/29	24/29	24/29	24/28	24/28	
5.02	起升速度 (满载/空载)	Lifting speed (loaded/unloaded)		mm/s	510/530	510/530	500/530	390/420	330/350	
5.03	下降速度 (满载/空载)	Lowering speed (loaded/unloaded)		mm/s	空载 WITHOUT LOAD $\geq$ 300 满载 WITH FULL LOAD $\leq$ 600					
5.04	最大牵引力 (满载)	Max. Draw bar (loaded)		KN	63	63	62	60	58	
5.05	最大爬坡度 (满载/空载)	Max. Gradeability (loaded/unloaded)		%	38/19	35/19	32/19	23/20	21/20	
5.06	重量 (含油水)	Weight (oil included)		kg	8300	9050	9650	11550	12660	
5.07	轮负荷 (满载) 前/后	Wheel capacity (loaded) front/rear		kg	11940/1360	13400/1650	14500/2150	17845/2205	20167/2493	
5.08	轮负荷 (空载) 前/后	Wheel capacity (unloaded) front/rear		kg	4130/4170	4060/4990	3870/5780	5082/6468	5570/7090	
发动机参数		Engine specifications								
6.01	发动机制造商/型号	Engine manufacturer /mode		锡柴CA6110 (国二) XICHAO CA6110(CHINA STAGE II)						
6.02	额定功率	Rated power		Kw/rpm	83/2000					
6.03	额定扭矩	Rated torque		Nm/rpm	450/1400-1500					
6.04	气缸数	Cylinder number		6						
6.05	发动机排量	Engine displacement		L	7.127					

### 可选配的叉车发动机型号及整车主要性能参数 Optional engine model and truck main specifications

整车性能参数 Truck specifications																			
型号	Manufacturer		CPCD50	CPCD60	CPCD70	CPCD85	CPCD100	CPCD50	CPCD60	CPCD70	CPCD85	CPCD100	CPCD50	CPCD60	CPCD70	CP(Q)(Y)D50	CP(Q)(Y)D60	CP(Q)(Y)D70	
最大行驶速度	Max. Travelling speed (loaded/unloaded)	km/h	26/30	26/30	26/30	26/30	26/30	26/30	26/30	26/30	26/30	26/30	26/30	26/30	26/30	28/30	28/30	28/30	
起升速度 (满载/空载)	Lifting speed (loaded/unloaded)	mm/s	530/550	530/550	510/540	390/420	330/350	550/570	550/570	550/570	430/450	350/370	450/470	440/470	420/460	425/435	425/435	425/435	
下降速度 (满载/空载)	Lowering speed (loaded/unloaded)	mm/s	空载 WITHOUT LOAD ≥ 300 满载 WITH FULL LOAD ≤ 600																
最大牵引力 (满载)	Max. Draw bar (loaded)	KN	60	60	60	60	58	60	60	60	60	58	42	40	40	48	48	47	
最大爬坡度 (满载/空载)	Max. Gradeability (loaded/unloaded)	%	34/19	31/19	29/19	23/20	21/20	35/19	32/19	30/19	27/20	22/20	23/19	20/19	20/19	38/19	35/19	31/19	
重量 (含油水)	Weight (oil included)	kg	8150	8900	9500	11400	12510	8150	8900	9500	11400	12510	8300	9050	9650	7980	8730	9330	
轮负荷 (满载) 前后	Wheel capacity (loaded) front/rear	kg	11830/1320	13330/1570	14450/2050	17750/2150	20030/2480	11830/1320	13330/1570	14450/2050	17750/2150	20030/2480	11940/1360	13400/1650	14550/2150	11620/1360	13080/1650	14180/2150	
轮负荷 (空载) 前后	Wheel capacity (unloaded) front/rear	kg	4050/4100	4005/4895	3900/5600	6040/5360	5510/7000	4050/4100	4005/4895	3900/5600	6040/5360	5510/7000	4130/4170	4060/4990	3870/5780	3810/4170	3740/4990	3550/5780	
发动机参数 Engine specifications																			
发动机制造商/型号	Engine manufacturer /mode		珀金斯 1104D-44TA (欧ⅢA及美Ⅲ) Perkins 1104D-44TA (Euro IIIA, EPA Tier III and national II emission standard are satisfied)					康明斯 OSB4.5 (欧ⅢA及美Ⅲ) Cummins OSB4.5 (Euro IIIA, EPA Tier III and national II emission standard are satisfied)					三菱 S6S-T (欧ⅢA及美Ⅲ) Mitsubishi S6S-T (Euro IIIA, EPA Tier III and national II emission standard are satisfied)					GM4.3	
额定功率	Rated power	Kw/rpm	83/2200					82/2200					63.9/2300					76/2300	
额定扭矩	Rated torque	Nm/rpm	418/1400					488/1500					285/1700					324/1700	
气缸数	Cylinder number		4					4					6					6	
发动机排量	Engine displacement	L	4.4					4.5					4.29					4.3	



Ast: 直角堆垛通道宽度 Right angle stacking aisle width  
a: 间隙 Clearance



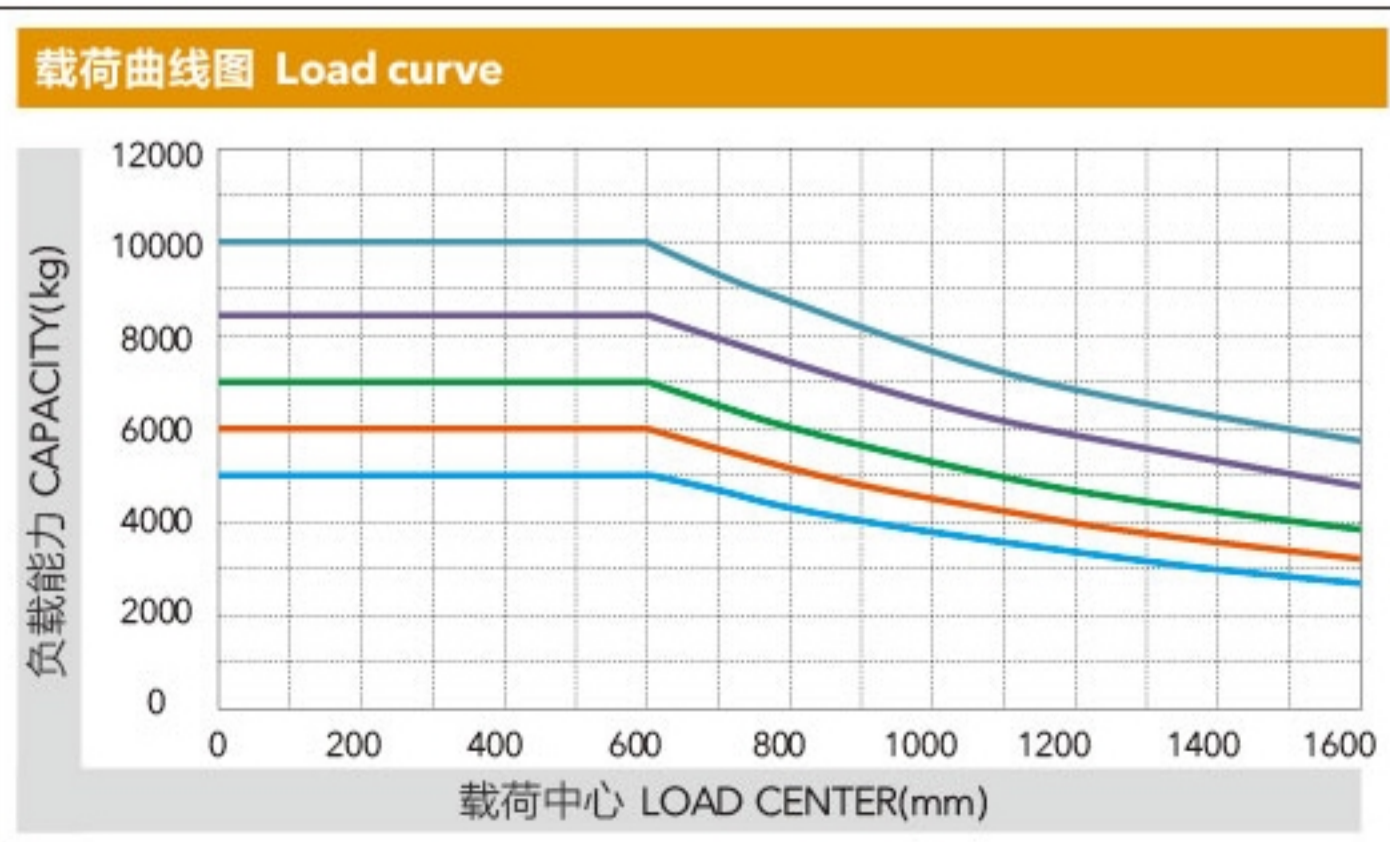
#### 5-7t 宽视野基本型门架 5-7t WIDE VIEW MAST

门架型号 Mast model	最大起升高度 Max. fork height (mm)	承载能力(载荷中心为600mm)(Kg) Load capacity (load center 600mm)			门架全高(货叉落地)(mm) Mast height, lowered	自重(kg) Service weight			门架倾角 Mast tilt angle (°) α/β
		CPCD50	CPCD60	CPCD70		CPCD50/60/70	CPCD50	CPCD60	
M200	2000	5000	6000	7000	2000	8300	9050	9650	6/12
M250	2500	5000	6000	7000	2250	8360	9110	9710	6/12
M270	2700	5000	6000	7000	2350	8390	9140	9740	6/12
M300	3000	5000	6000	7000	2500	8440	9190	9790	6/12
M330	3300	5000	6000	7000	2650	8490	9240	9840	6/12
M350	3500	5000	6000	7000	2750	8520	9270	9870	6/12
M375	3750	5000	6000	7000	2875	8560	9310	9910	6/12
M400	4000	5000	6000	7000	3050	8730	9480	10080	6/12
M425	4250	5000	6000	7000	3175	8770	9520	10120	6/12
M450	4500	5000	6000	7000	3300	8810	9560	10160	6/12
M475	4750	5000	6000	7000	3425	8850	9600	10200	6/6
M500	5000	5000	6000	7000	3550	8890	9640	10240	6/6
M550	5500	4750	5700	6600	3850	9090	9840	10440	3/6
M600	6000	4400	5400	6400	4100	9170	9920	10520	3/6

#### 5-7t 二级全自由门架 5-7t WIDE VIEW FULL FREE 2-STAGE MAST

门架型号 Mast model	最大起升高度 Max. fork height (mm)	承载能力(载荷中心为600mm)(Kg) Load capacity (load center 600mm)			门架全高(货叉落地)(mm) Mast height, lowered	自由起升高度(带挡货架) Free lift (with backrest) (mm)	自重(kg) Service weight			门架倾角 Mast tilt angle (°) α/β
		CPCD50	CPCD60	CPCD70			CPCD50/60/70	CPCD50	CPCD60	
ZM250	2500	5000	6000	7000	2210	840	8470	9120	9820	6/12
ZM270	2700	5000	6000	7000	2310	940	8500	9150	9850	6/12
ZM300	3000	5000	6000	7000	2460	1090	8550	9200	9900	6/12
ZM330	3300	5000	6000	7000	2610	1240	8600	9250	9950	6/12
ZM350	3500	5000	6000	7000	2710	1340	8630	9280	9980	6/12
ZM375	3750	5000	6000	7000	2835	1465	8670	9320	10020	6/12
ZM400	4000	5000	6000	7000	3010	1640	8830	9480	10180	6/12
ZM425	4250	5000	6000	7000	3135	1765	8870	9520	10220	6/12
ZM450	4500	5000	6000	7000	3260	1890	8910	9560	10260	6/12
ZM475	4750	5000	6000	7000	3385	2015	8950	9600	10300	6/6
ZM500	5000	5000	6000	7000	3510	2140	8990	9640	10340	6/6
ZM550	5500	4750	5700	6700	3810	2440	9190	9840	10540	3/6
ZM600	6000	4400	5400	6400	4060	2690	9270	9920	10620	3/6

注: (1) 5-6t 不带挡货架自由起升 +465mm; (2) 7t 不带挡货架自由起升 +310。  
Note: (1) 5-6t: the free lift without backrest 465mm increased, (2) 7t: the free lift without backrest 310mm increased,



CPCD50 CPCD60 CPCD70 CPCD85 CPCD100

注: 竖轴表示承载量, 横轴表示载荷中心。载荷中心是从货叉正面计算起, 标准载荷的基点是指负荷边长为1200毫米的立方体中心位置。当门架前倾、使用非标准货叉或装载超过正常宽度的负荷时, 将会使承载量减少。通过负荷曲线图, 能及时地了解标准门架在各种载荷中心时的承载能力。

Note: The vertical axis stands for load capacity and the horizontal axis stands for load center which is calculated from the front surface of the forks to the gravity of the standard load. the standard load means a cubic with 1200mm edge length. When mast is tilted forward, using non-standard forks or loading large goods, the load capacity will be reduced. The load capacity of standard mast at different load center can be known from this load chart.

**5-7t三级全自由门架 5-7t WIDE VIEW FULL FREE 3-STAGE MAST**

门架型号 Mast model	最大起升高度 Max. fork height (mm)	承载能力(载荷中心为600mm)(Kg) Load capacity (load center 600mm)			门架全高(货叉落地)(mm) Mast height, lowered		自由起升高度(带挡货架) Free lift (with backrest) (mm)		自重(kg) Service weight			门架倾角 Mast tilt angle (°)α/β
		CPCD50	CPCD60	CPCD70	CPCD50/60/70		CPCD50	CPCD60	CPCD70	CPCD50	CPCD60	
ZSM360	3600	4500	5600	6200	2335		910		9130	9780	10460	6/6
ZSM400	4000	4500	5600	6200	2470		1040		9190	9840	10520	6/6
ZSM435	4350	4500	5600	6200	2585		1156		9250	9900	10560	6/6
ZSM480	4800	4500	5600	6200	2740		1310		9440	10090	10750	6/6
ZSM500	5000	4500	5600	6200	2805		1380		9470	10120	10780	3/6
ZSM540	5400	4200	5300	6000	2940		1510		9540	10190	10950	3/6
ZSM600	6000	4000	5000	5500	3140		1710		9630	10280	11030	3/6
ZSM650	6500	3600	4300	4500	3405		1975		9740	10350	11250	3/6
ZSM700	7000	2800	3500	3700	3515		2085		4450	10500	11360	3/6

注: (1) 5-6t 不带挡货架自由起升 +380mm; (2) 7t 不带挡货架自由起升+225mm。  
 Note: (1) 5-6t: the free lift without backrest 380mm increased, (2) 7t: the free lift without backrest 225mm increased.

**8.5-10t 宽视野基本型门架 8.5-10t WIDE VIEW MAST**

门架型号 Mast model	最大起升高度 Max. fork height (mm)	承载能力(载荷中心为600mm)(Kg) Load capacity (load center 600mm)		门架全高(货叉落地)(mm) Mast height, lowered		自重(kg) Service weight		门架倾角 Mast tilt angle (°)α/β
		CPCD85	CPCD100	CPCD85	CPCD100	CPCD85	CPCD100	
M250	2500	8500	10000	2450	2600	-	-	6/12
M270	2700	8500	10000	2550	2700	-	-	6/12
M300	3000	8500	10000	2700	2850	11550	12660	6/12
M330	3300	8500	10000	2850	3000	11610	12725	6/12
M350	3500	8500	10000	2950	3100	11650	12770	6/12
M375	3750	8500	10000	3075	3225	11690	12820	6/12
M400	4000	8500	10000	3250	3400	11900	12960	6/12
M425	4250	8500	10000	3375	3525	11950	13020	6/12
M450	4500	8500	10000	3500	3650	11990	13070	6/12
M475	4750	8200	10000	3625	3775	12040	13130	6/6
M500	5000	8200	10000	3750	3900	12090	13180	6/6
M550	5500	7850	9000	4050	4200	12330	13420	3/6
M600	6000	7400	8000	4300	4450	12420	13530	3/6

**8.5-10t 二级全自由门架 8.5-10t WIDE VIEW FULL FREE 2-STAGE MAST**

门架型号 Mast model	最大起升高度 Max. fork height (mm)	承载能力(载荷中心为600mm)(Kg) Load capacity (load center 600mm)		门架全高(货叉落地)(mm) Mast height, lowered		自由起升高度(带挡货架) Free lift (with backrest)(mm)		自重(kg) Service weight		门架倾角 Mast tilt angle (°)α/β
		CPCD85	CPCD100	CPCD85	CPCD100	CPCD85	CPCD100	CPCD85	CPCD100	
ZM250	2500	8500	10000	2450	2600	1090	1300	11290	-	6/12
ZM270	2700	8500	10000	2550	2700	1190	1400	11560	-	6/12
ZM300	3000	8500	10000	2700	2850	1340	1550	11675	12980	6/12
ZM330	3300	8500	10000	2850	3000	1490	1700	11720	13070	6/12
ZM350	3500	8500	10000	2950	3100	1590	1800	11780	13140	6/12
ZM375	3750	8500	10000	3075	3225	1715	1925	11840	13220	6/12
ZM400	4000	8500	10000	3250	3400	1890	2100	12090	13380	6/12
ZM425	4250	8500	10000	3375	3525	2015	2225	12160	13460	6/12
ZM450	4500	8500	10000	3500	3650	2140	2350	12230	13530	6/12
ZM475	4750	8200	10000	3625	3775	2265	2475	12300	13620	6/6
ZM500	5000	8200	10000	3750	3900	2390	2600	12370	13690	6/6
ZM550	5500	7850	9000	4050	4200	2690	2900	12670	13980	3/6
ZM600	6000	7400	8000	4300	4450	2940	3150	12810	14140	3/6

注: (1) 8.5t 不带挡货架自由起升 +222mm; (2) 10t 不带挡货架。  
 Note: (1) 8.5t: the free lift without backrest 222mm increased, (2) 10t: free lift without backrest,

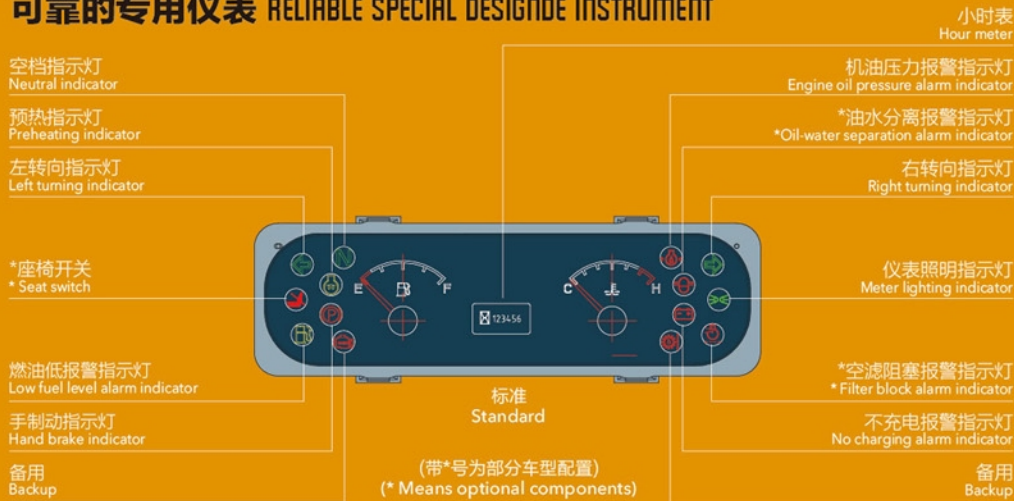
**8.5-10t 三级全自由门架 8.5-10t WIDE VIEW FULL FREE 3-STAGE MAST**

门架型号 Mast model	最大起升高度 Max. fork height (mm)	承载能力(载荷中心为600mm)(Kg) Load capacity (load center 600mm)		门架全高(货叉落地)(mm) Mast height, lowered		自由起升高度(带挡货架) Free lift (with backrest)(mm)		自重(kg) Service weight		门架倾角 Mast tilt angle (°)α/β
		CPCD85	CPCD100	CPCD85	CPCD100	CPCD85	CPCD100	CPCD85	CPCD100	
ZSM360	3600	7500	8000	2450	2570	1090	1150	11940	13290	6/12
ZSM400	4000	7500	8000	2575	2700	1215	1280	12010	13350	6/12
ZSM435	4350	7500	8000	2700	2820	1340	1400	12080	13410	6/12
ZSM480	4800	7500	7500	2850	2970	1490	1550	12160	13470	6/6
ZSM500	5000	7500	7500	2950	3035	1590	1615	12230	13520	3/6
ZSM540	5400	7000	7000	3075	3225	1715	1805	12300	13590	3/6
ZSM600	6000	6400	6000	3375	3425	2015	2005	12640	13670	3/6
ZSM650	6500	5800	5600	3600	3590	2240	2170	12740	13960	3/6
ZSM700	7000	4800	-	3750	3855	2390	2435	12830	-	3/6

注: (1) 8.5t 不带挡货架自由起升 +172mm; (2) 10t 不带挡货架。  
 Note: (1) 8.5t: the free lift without backrest 172mm increased, (2) 10t: free lift without backrest,

注: 上述表格中整车自重为配锡柴发动机时的重量。 Note: The service weight in the table is the weight of the truck assembled with XiChai engine.

## 可靠的专用仪表 RELIABLE SPECIAL DESIGNER INSTRUMENT



可靠的专用仪表将整车运行状态、故障检测等重要信息完整地显示出来，使操作者更直观、方便地了解车辆状态。Reliable special meter displays the whole truck's working condition, fault detect and other important information completely which makes the operator master the whole truck condition directly and conveniently.

### 标准配置 Standard configuration

计时表	Hour meter
电喇叭	Horn
机油压力报警	Oil pressure alarm
二片多路阀	Control valve
全液压动力转向	Wholly hydraulic-powered steering
橡胶踏板垫	Rubber pad
挡货架	Backrest
倒车镜	Rear view mirror
前组合灯 (LED信号灯)	Front combined lamp (LED light)
传动油滤清器	Transmission oil filter
发动机熄火装置	Engine flame out device
棘齿式停车制动器	Ratchet type parking brake
水温表	Water temperature meter
随车工具	Driver's tool
后组合灯 (LED)	Rear combined lamp(LED)
倒车蜂鸣器	Reversing buzzer
倾斜油缸自锁阀	Tilt-lock valve
倾斜可调转向管柱	Tilt adjustable steering column
后视镜	Back view mirror
护顶架	Overhead guard
标准货叉	Standard fork
空挡开关	Neutral gear switch
液回路滤清器	Hydraulic circuit oil filter
电液换向	Electro-hydraulic changing-over
智能换挡	Intelligent shift
限速阀	Speed-limiting valve
油量表	Oil level gauge
充电指示	Charging indicator
宽视野门架	Wide view mast
进气装置	Air intaking device
花纹耐用轮胎	Durable tire with decorative pattern
起升和倾斜操纵杆	Lifting and tilting operating handles
牵引销	Traction pin
半悬浮座椅	Semi-suspension seat
液压油标尺	Hydraulic oil dipstick
护顶架防雨棚	Overhead guard rain cover
变矩器油标尺	Torque converter oil dipstick
组合仪表	Combined instrument

### 选用装置 Optional

驾驶室	Driver's cab
警示灯	Warning light
高排气装置	High air exhausting device
双空滤	Double air cleaner
全悬浮座椅	Suspension seat
货叉加长套	Fork extension
暖风机	Heater
实心轮胎	Solid tyre
加宽货叉架	Widen fork carriage
挡风玻璃	Wind shield
净化消声器	Purifying muffler
灭火消声器	Fire extinguisher muffler
灭火器	Fire extinguisher
后工作灯	Rear working light
空调 (部分车型)	Air conditioner (certain type)
行车OPS	OPS (travelling function)
变矩器油温表	Torque converter oil temperature meter
倾斜缸护套	Tilting cylinder sleeve
转向缸护套	Steering cylinder sleeve
用户指定颜色	User-specified color
选用属具	Optional attachments
吊具	Sling
全套LED灯	Full LED light ass'y
电源总开关	Power switch
倒车语音喇叭	Reversing voice speaker
通用钥匙	Universal key
超速10km/h报警	Overspeed 10km/h alarm
电风扇	Electric fan
全套OPS(含行走OPS和起升OPS)	OPS(Travelling function and loading function)